

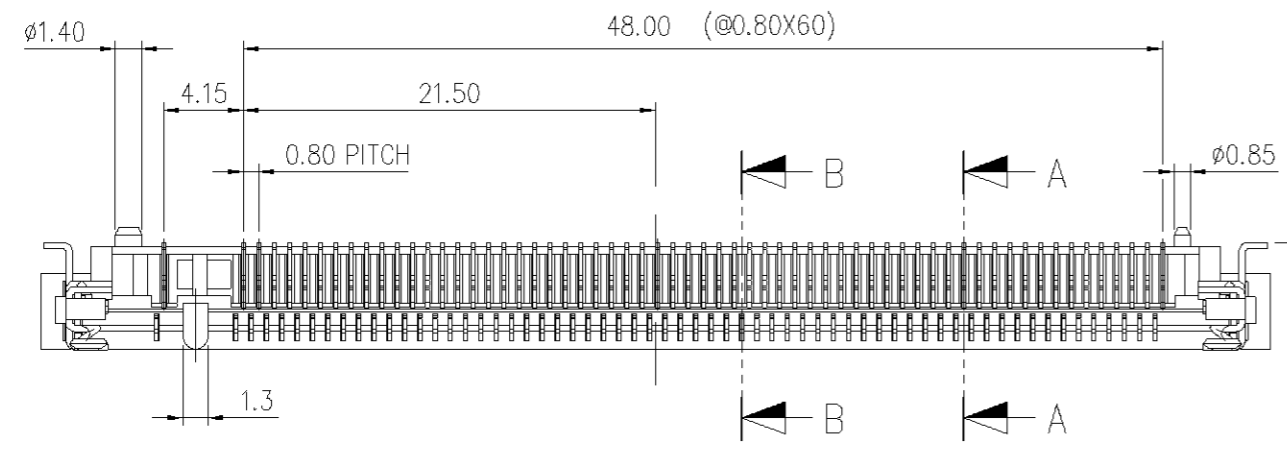
NUMBER
C-1734661

3RD ANGLE PROJECTION

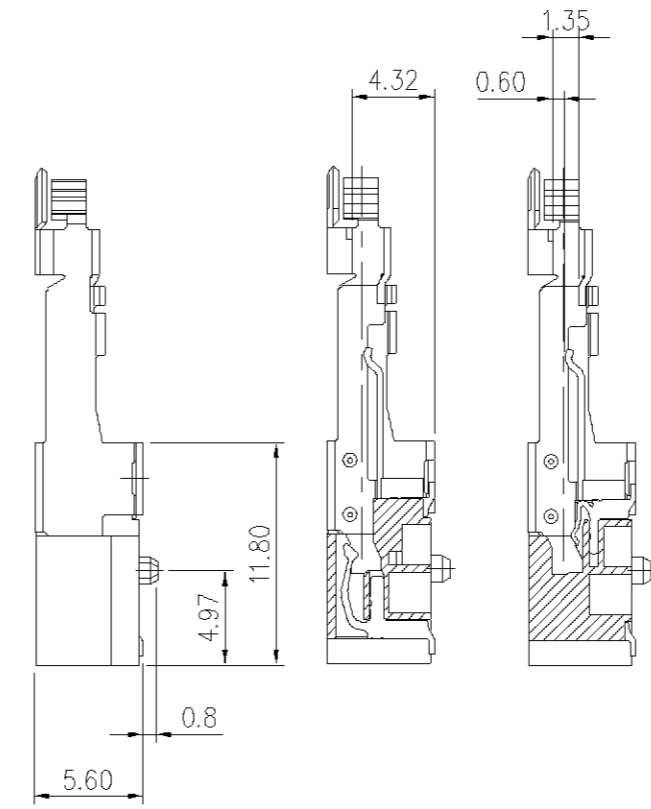
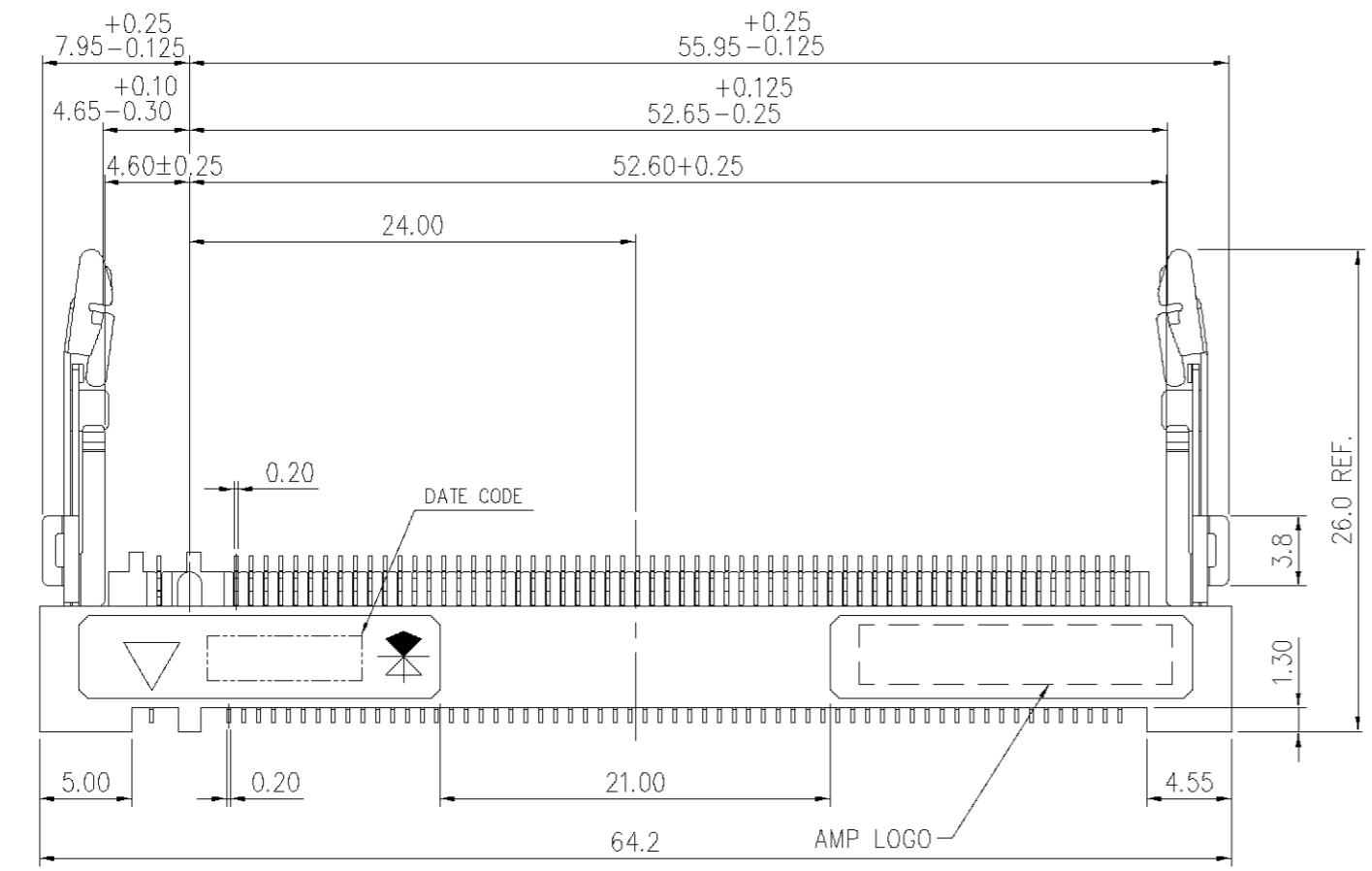
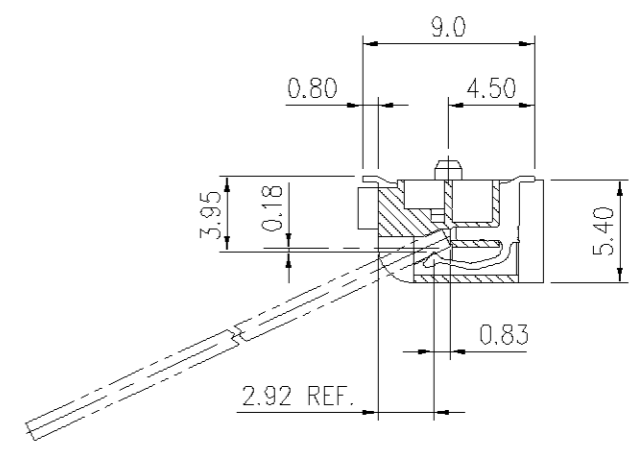
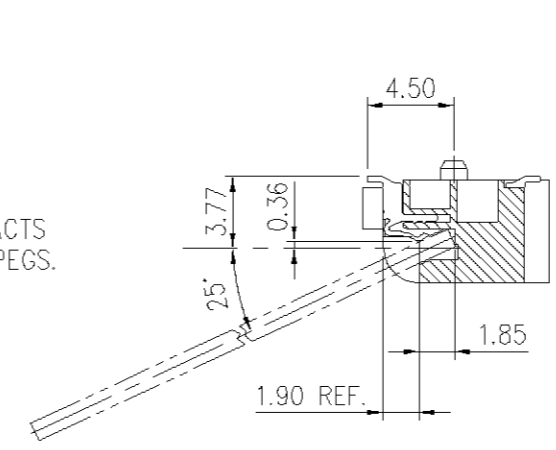
METRIC

THIS INFORMATION IS CONFIDENTIAL AND IS DISCLOSED TO YOU ON CONDITION THAT NO FURTHER DISCLOSURE IS MADE BY YOU TO OTHER THAN AMP PERSONNEL WITHOUT WRITTEN AUTHORIZATION FROM AMP (TAIWAN) LTD. DIMENSIONS IN MILLIMETERS. DO NOT SCALE PRINT.

PRINT DIST DW

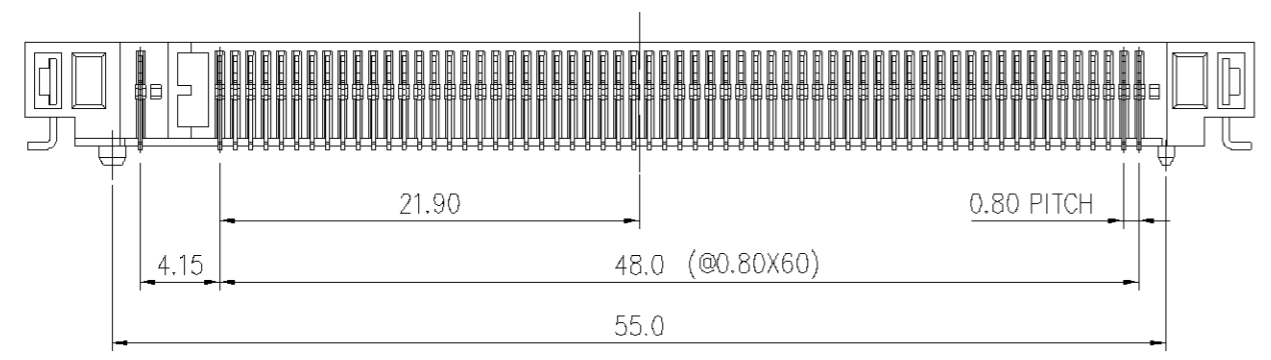


0.10
ALL CONTACTS & LATCH PEGS.



NOTES:

- 1. MATERIAL :
HOUSING : HIGH TEMPERATURE THERMOPLASTIC, UL 94V-0, BLACK COLOR.
CONTACT : PHOSPHOR BRONZE.
LATCH : STEEL.
- 2. FINISH :
CONTACT : GOLD PLATED (SEE TABLE) ON CONTACT AREA AND 100u" MIN. TIN(MATTE) ON SOLDERING END OVER 50u" MIN. NICKEL UNDER-PLATING.
LATCH : TIN(MATTE) PLATING 80~200u", NICKEL 50u" MIN. UNDERPLATING
- ③ CARD THICKNESS APPLIES ACROSS TABS AND INCLUDES PLATING AND / OR METALIZATION.
- ④ BORDER OF COMPONENT AREA.



15u"	1734661-2
5u"	1734661-1
GOLD PLATING PART NUMBER	

TOLERANCES UNLESS OTHERWISE SPECIFIED: 0 PLC ± 1 PLC ±0.15 2 PLC ±0.10 3 PLC ±0.05 ANGLES ±3'	DWN S. HOU 18-JUN-2004	tyco Electronics TYCO HOLDINGS (BERMUDA) VII LTD. TAIWAN BRANCH
MATERIAL SEE NOTE	CHK W.J. KE 18-JUN-2004	
FINISH SEE NOTE	APVD W.J. KE 18-JUN-2004	NAME 0.8 PITCH MINI PCI SOCKET, 5.6H, 124 POSITION.
	PRODUCT SPEC 108-57380	LOC SIZE DRAWING NO DW A ₃ C-1734661
	QUALIFICATION TEST REPORT 501-57412	REV A
	WEIGHT 3.75GRAM	SCALE SHEET -- 1 OF 5

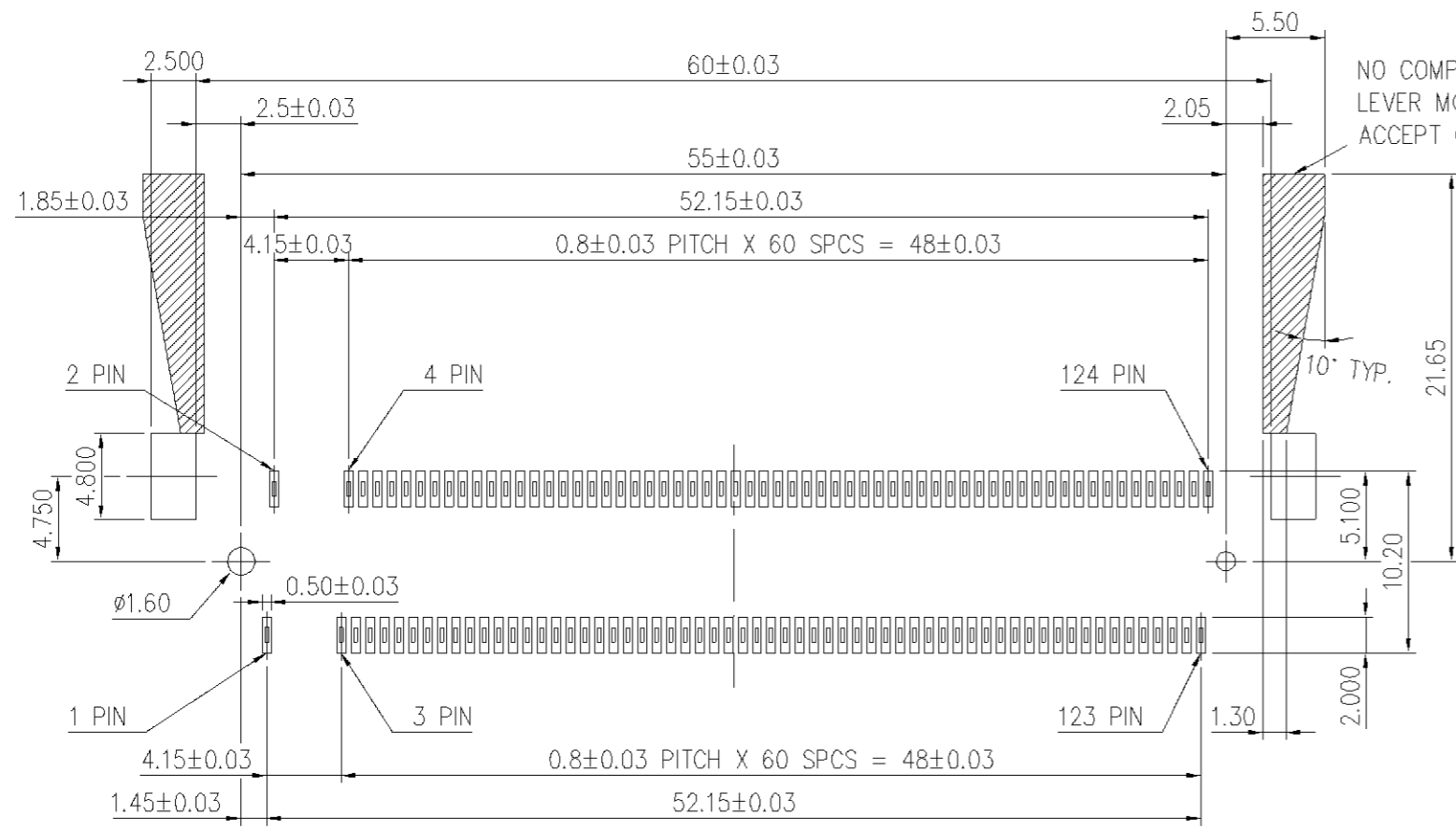
A	REVISED	FZ00-0134-04	SH WK	18 JUN 2004
O	FIRST RELEASED	FZ00-0108-04	SH WK	02 JUN 2004
LTR	REVISION RECORD	ECN	DWN CHK	DATE

NUMBER
C-1734661

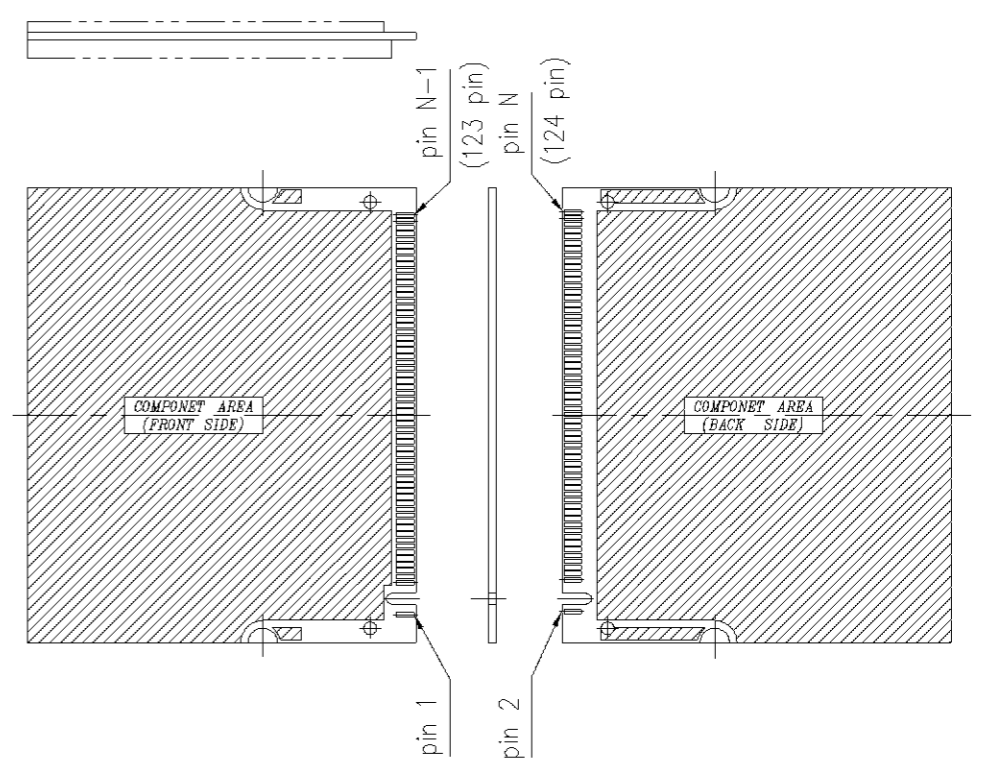
METRIC
3RD ANGLE PROJECTION

METRIC

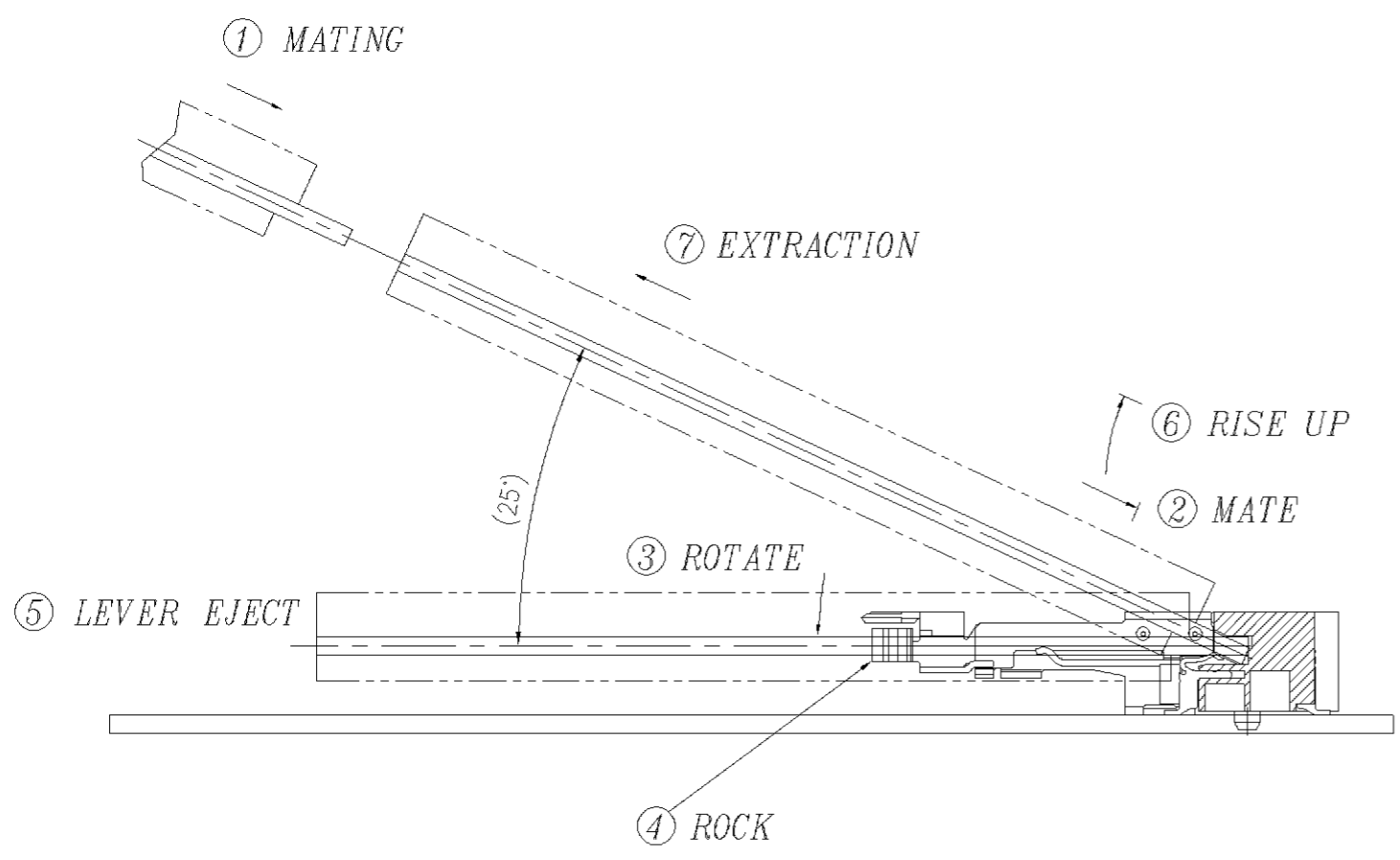
THIS INFORMATION IS CONFIDENTIAL AND IS DISCLOSED TO YOU ON CONDITION THAT NO FURTHER DISCLOSURE IS MADE BY YOU TO OTHER THAN AMP PERSONNEL WITHOUT WRITTEN AUTHORIZATION FROM AMP (TAIWAN) LTD. DIMENSIONS IN MILLIMETERS. DO NOT SCALE PRINT.



RECOMMENDED P.C. BOARD PATTERN LAYOUT
(CONNECTOR MOUNTING SIDE)

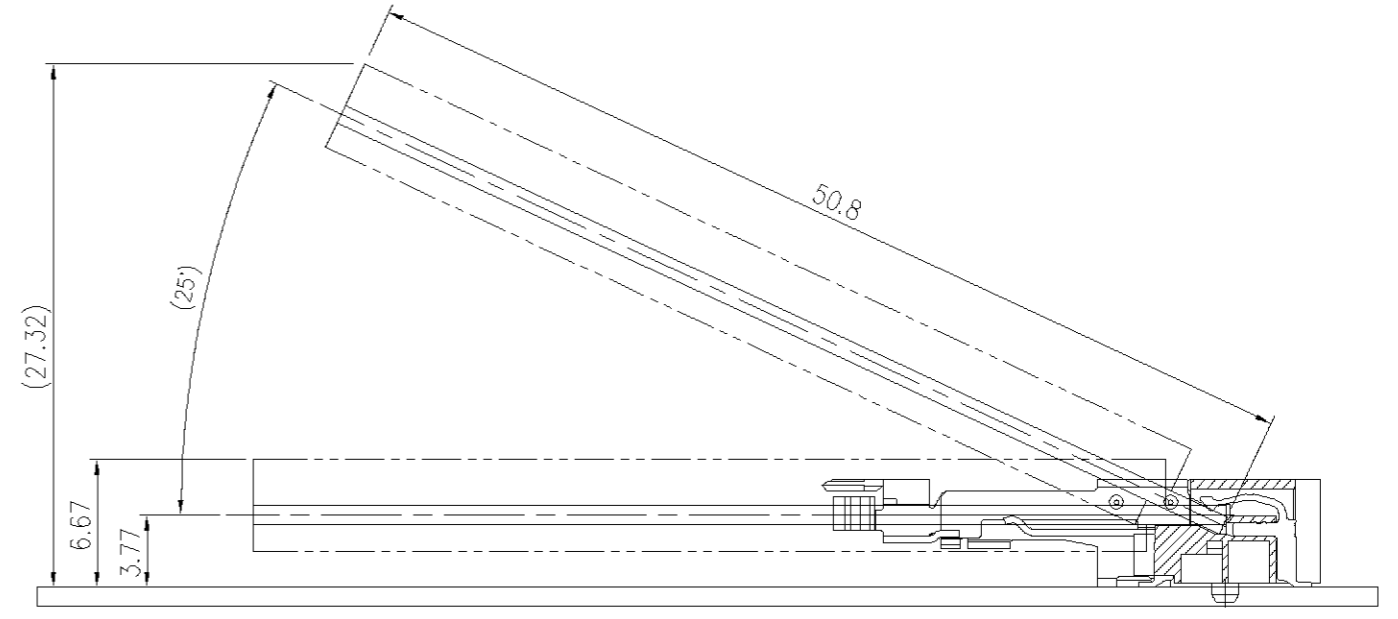


CIRCUIT POSITION OF S.O.DIMM
(SCALE: 1/1)



HOW TO MATE AND UNMATE

MATE: ① ~ ④
UNMATE: ⑤ ~ ⑦



EJECT HEIGHT

TOLERANCES UNLESS OTHERWISE SPECIFIED:		DWN	S. HOU	tyco Electronics	TYCO HOLDINGS (BERMUDA) VII LTD. TAIWAN BRANCH
0 PLC ±		18-JUN-2004	18-JUN-2004		
1 PLC ±0.15		CHK	W.J. KE	NAME	
2 PLC ±0.10		18-JUN-2004		0.8 PITCH MINI PCI SOCKET, 5.6H, 124 POSITION.	
3 PLC ±0.05		18-JUN-2004			
ANGLES ±3'					
MATERIAL	-	APVD	W.J. KE	LOC	
		18-JUN-2004		SIZE	DRAWING NO
		PRODUCT SPEC		DW	A ₃
				SCALE	C-1734661
		QUALIFICATION TEST REPORT		REV	A
		WEIGHT		SHEET	
				2 OF 5	

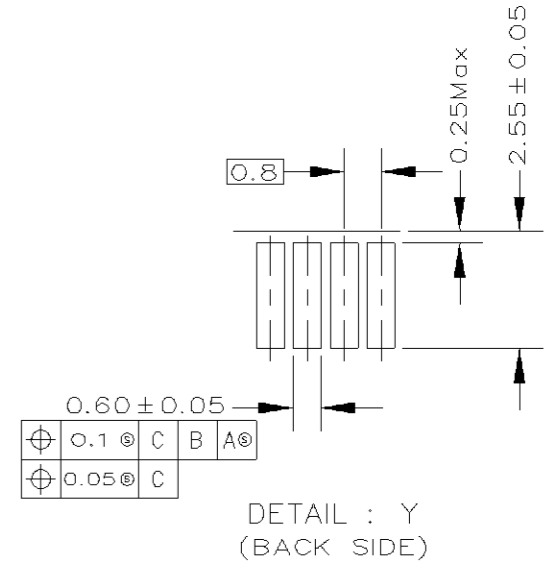
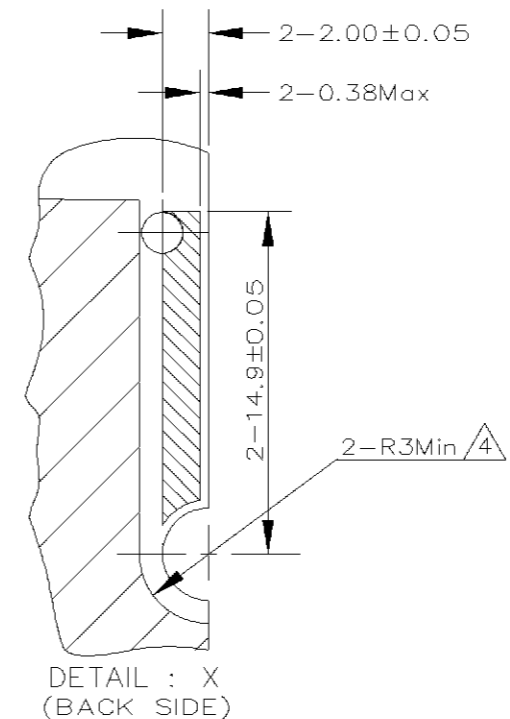
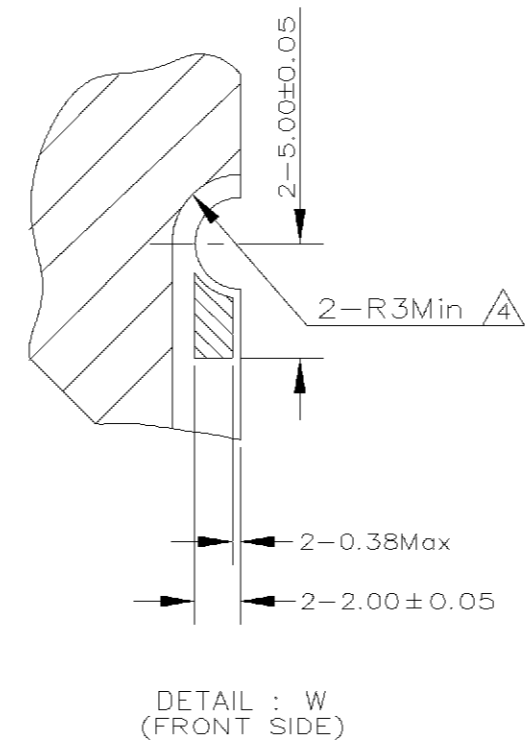
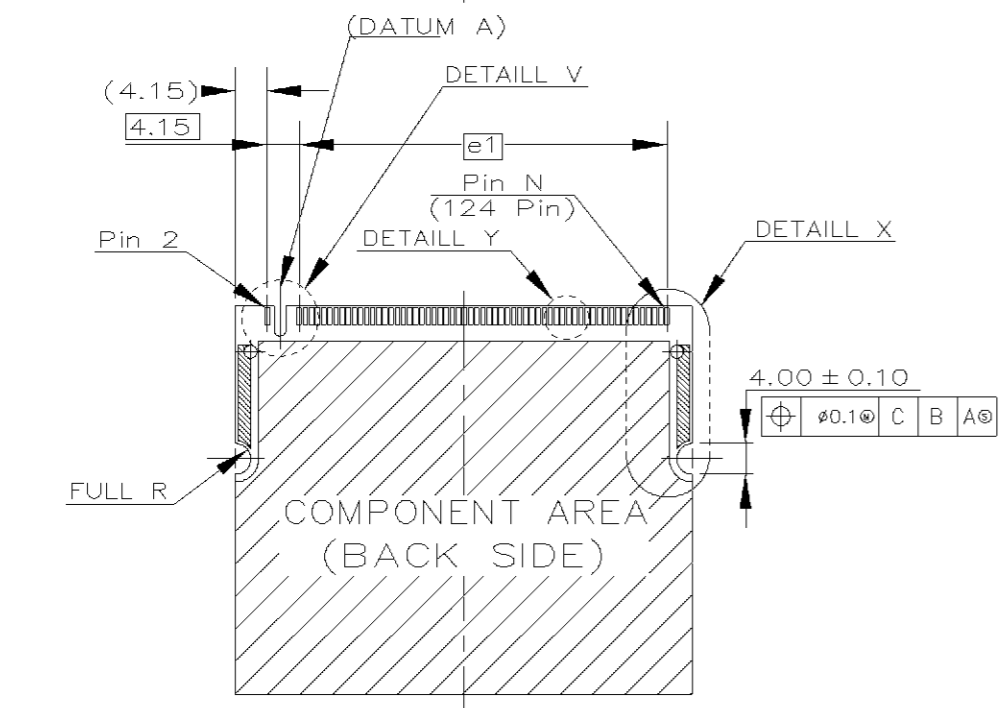
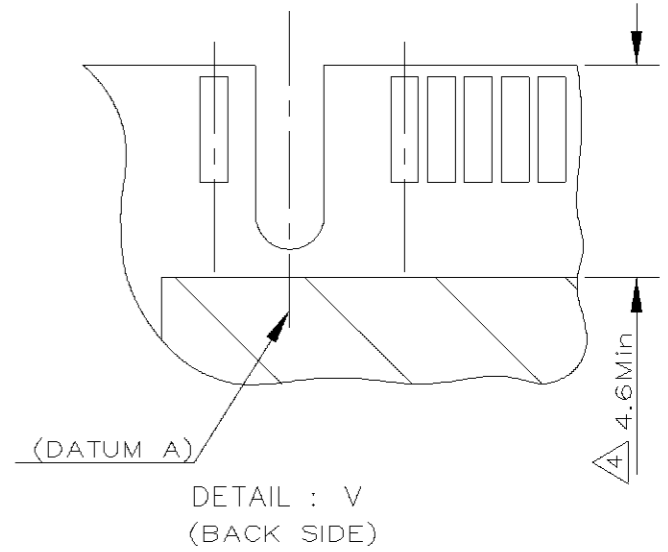
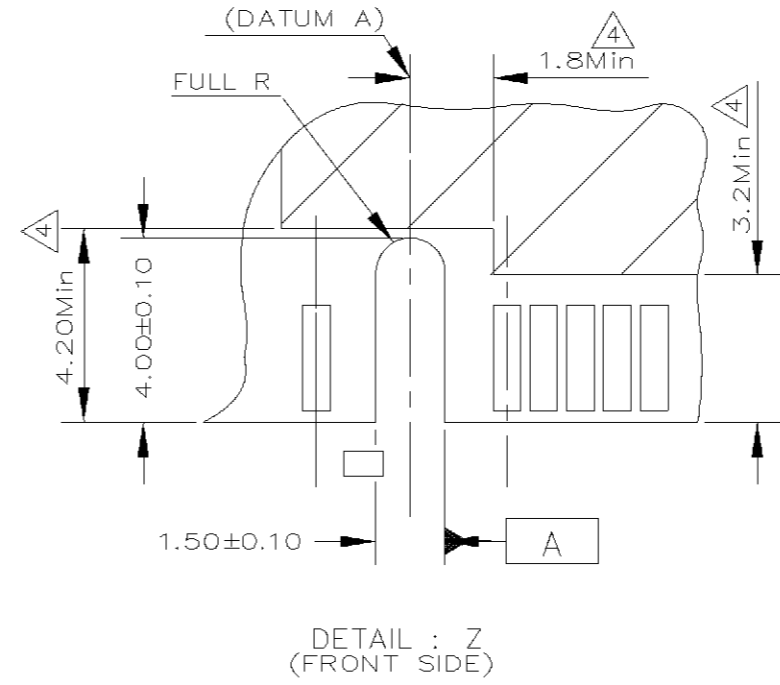
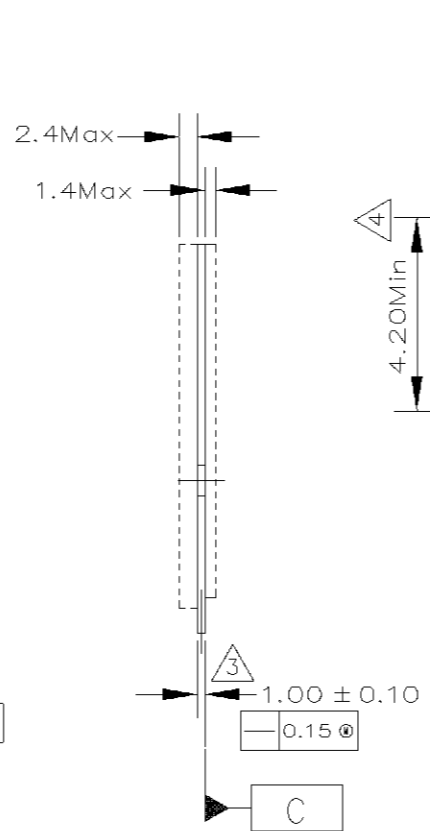
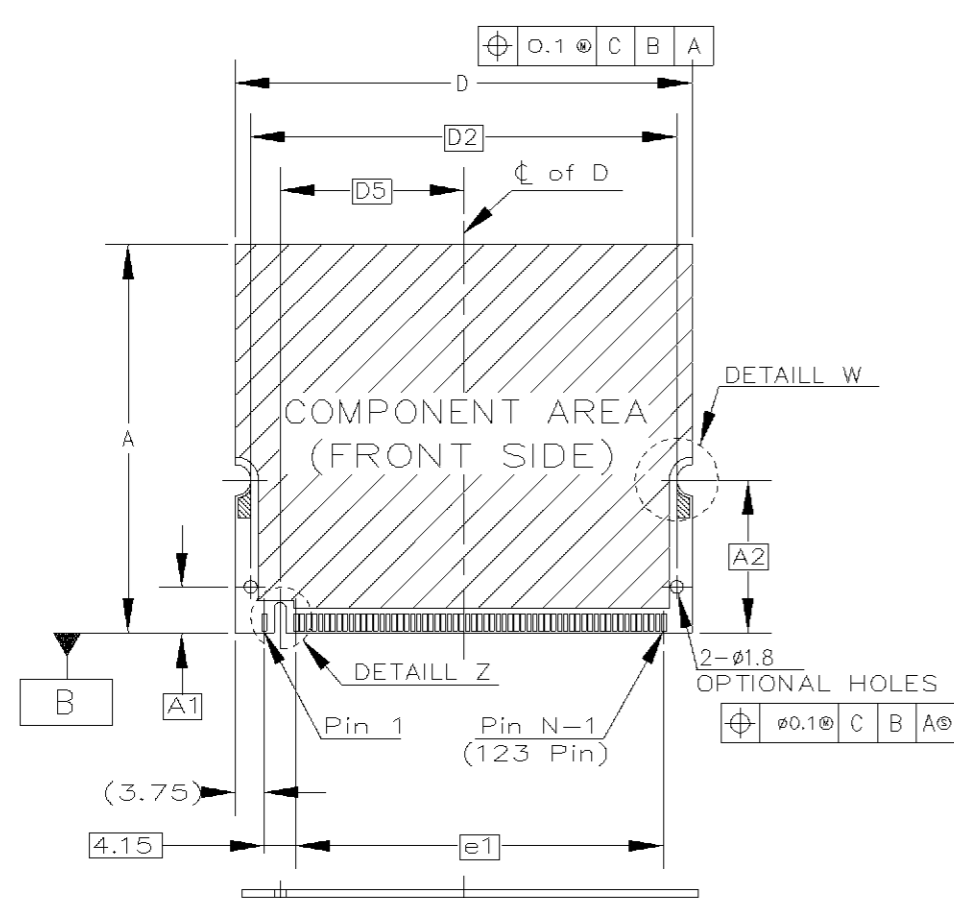
SEE SHEET 1.	ECN	DWN	CHK	DATE
LTR	REVISION RECORD			

NUMBER
C-1734661

METRIC
3RD ANGLE PROJECTION

THIS INFORMATION IS CONFIDENTIAL AND IS DISCLOSED TO YOU ON CONDITION THAT NO FURTHER DISCLOSURE IS MADE BY YOU TO OTHER THAN AMP PERSONNEL WITHOUT WRITTEN AUTHORIZATION FROM AMP (TAIWAN) LTD.
DIMENSIONS IN MILLIMETERS. DO NOT SCALE PRINT.

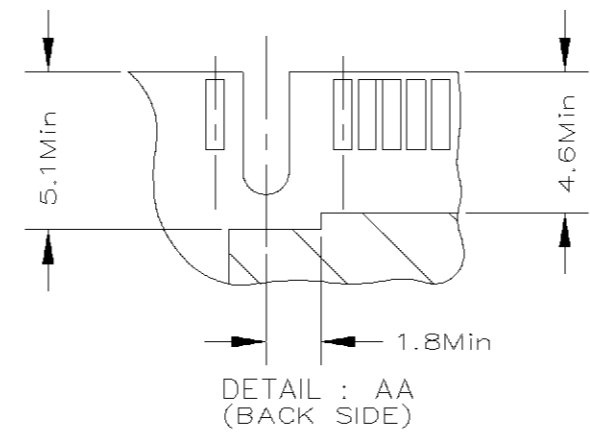
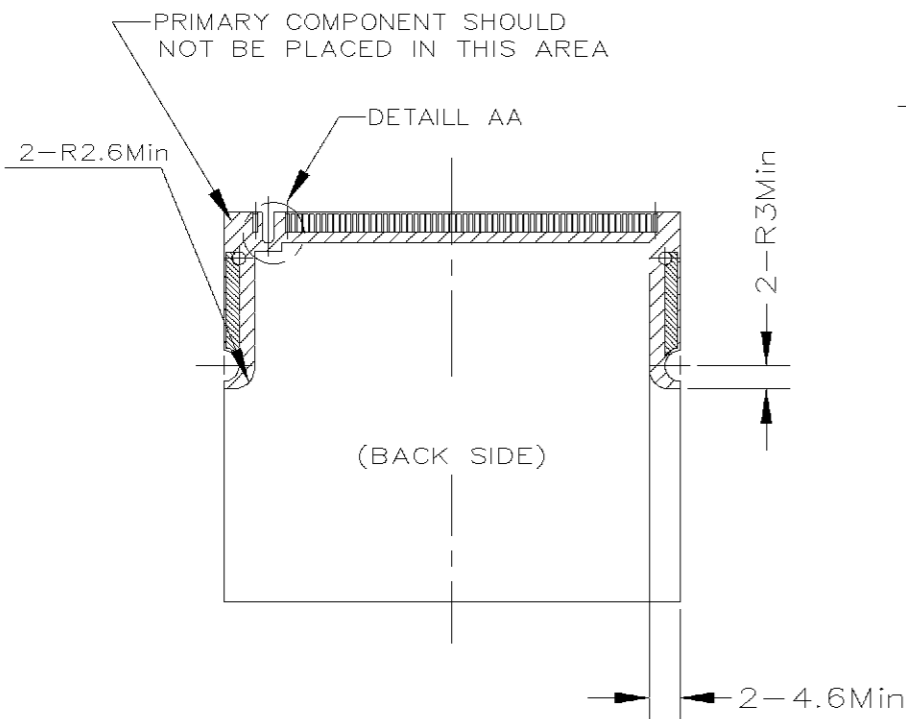
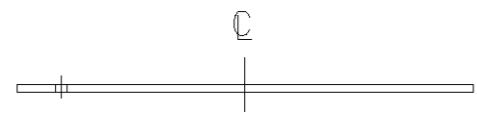
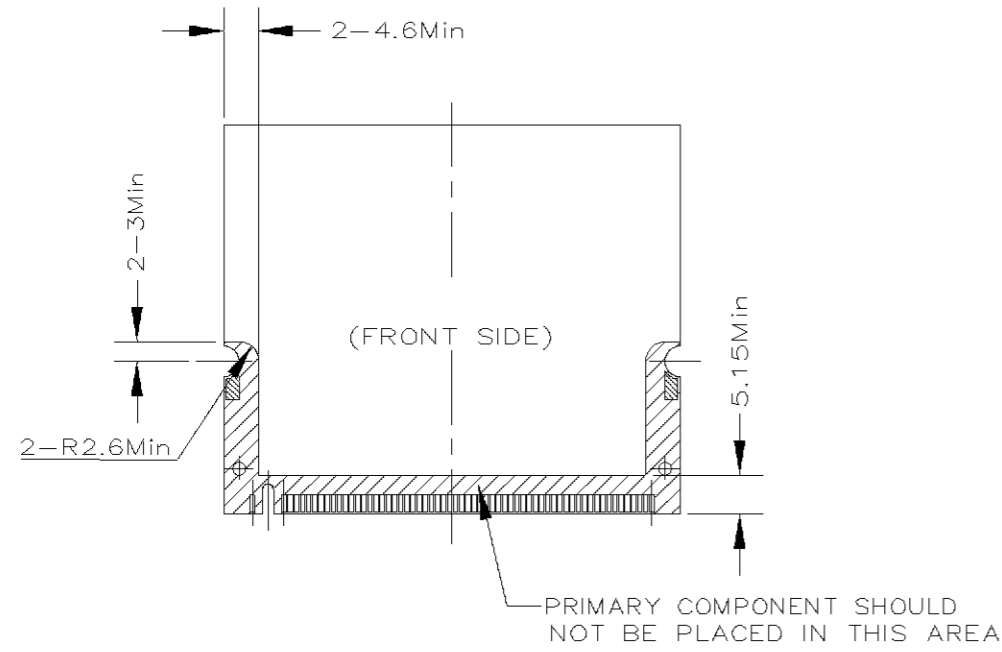
PRINT DIST
DW



TOLERANCES UNLESS OTHERWISE SPECIFIED: 0 PLC ± 1 PLC ±0.15 2 PLC ±0.10 3 PLC ±0.05 ANGLES ±3'		DWN S. HOU 18-JUN-2004	 TYCO HOLDINGS (BERMUDA) VII LTD. TAIWAN BRANCH
MATERIAL -		CHK W.J. KE 18-JUN-2004	
FINISH -		APVD W.J. KE 18-JUN-2004	NAME 0.8 PITCH MINI PCI SOCKET, 5.6H, 124 POSITION.
QUALIFICATION TEST REPORT -		LOC DW	SIZE A ₃
WEIGHT		DRAWING NO C-1734661	
		REV A	
		SCALE --	
		SHEET 3 OF 5	

SEE SHEET 1.			
LTR	REVISION RECORD	ECN	DWN/CHK/DATE

THIS INFORMATION IS CONFIDENTIAL AND IS DISCLOSED TO YOU ON CONDITION THAT NO FURTHER DISCLOSURE IS MADE BY YOU TO OTHER THAN AMP PERSONNEL WITHOUT WRITTEN AUTHORIZATION FROM AMP (TAIWAN) LTD. DIMENSIONS IN MILLIMETERS. DO NOT SCALE PRINT.



SOYMBOL	VARIATIONS ALL DIMENSIONS IN mm					
	NORMAL HEIGHT 44.45			NORMAL HEIGHT 50.80		
	AA			BA		
	MIN	NOM	MAX	MIN	NOM	MAX
A	44.3	44.45	44.60	50.65	50.80	50.95
A1	6.00	BSC		6.00	BSC	
A2	20.00	BSC		20.00	BSC	
D	59.45	59.6	59.75	59.45	59.6	59.75
D1	1.30	BSC		1.30	BSC	
D2	55.60	BSC		55.60	BSC	
D3	2.05	BSC		2.05	BSC	
D4	1.65	BSC		1.65	BSC	
D5	24.00	BSC		24.00	BSC	
e1	48.00	BSC		48.00	BSC	
N		124			124	

TOLERANCES UNLESS OTHERWISE SPECIFIED: 0 PLC ± 1 PLC ±0.15 2 PLC ±0.10 3 PLC ±0.05 ANGLES ±3'		DWN S. HOU 18-JUN-2004	tyco Electronics		TYCO HOLDINGS (BERMUDA) VII LTD. TAIWAN BRANCH	
MATERIAL -		CHK W.J. KE 18-JUN-2004	NAME			
FINISH -		APVD W.J. KE 18-JUN-2004	PRODUCT SPEC			
QUALIFICATION TEST REPORT -		LOC DW	SIZE A ₃	DRAWING NO C-1734661	REV A	
WEIGHT		SCALE --		SHEET 4 OF 5		

SEE SHEET 1.	ECN	DWN	CHK	DATE
LTR	REVISION RECORD			

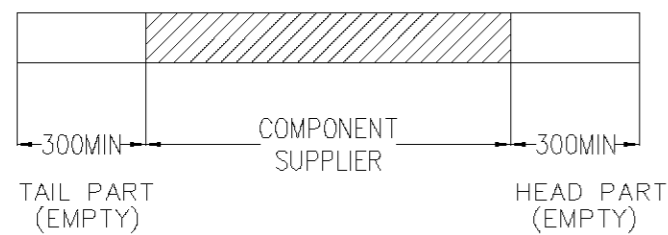
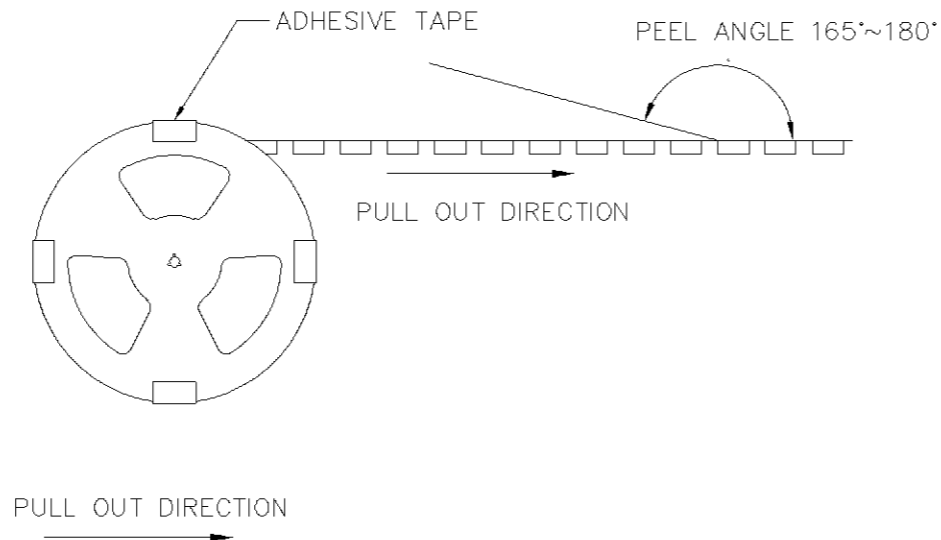
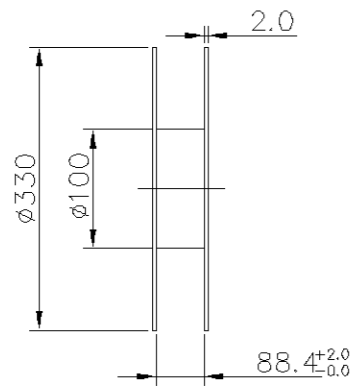
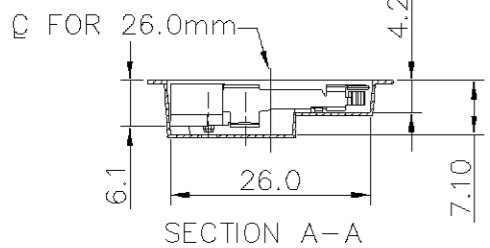
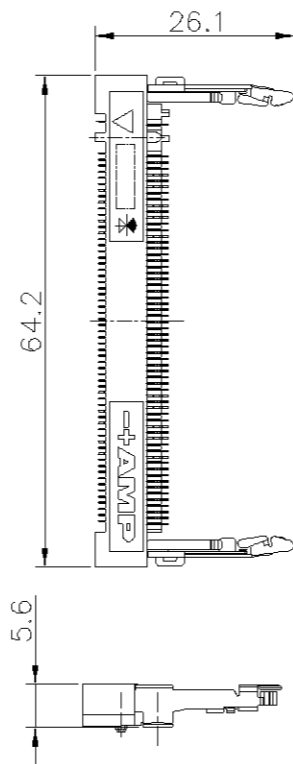
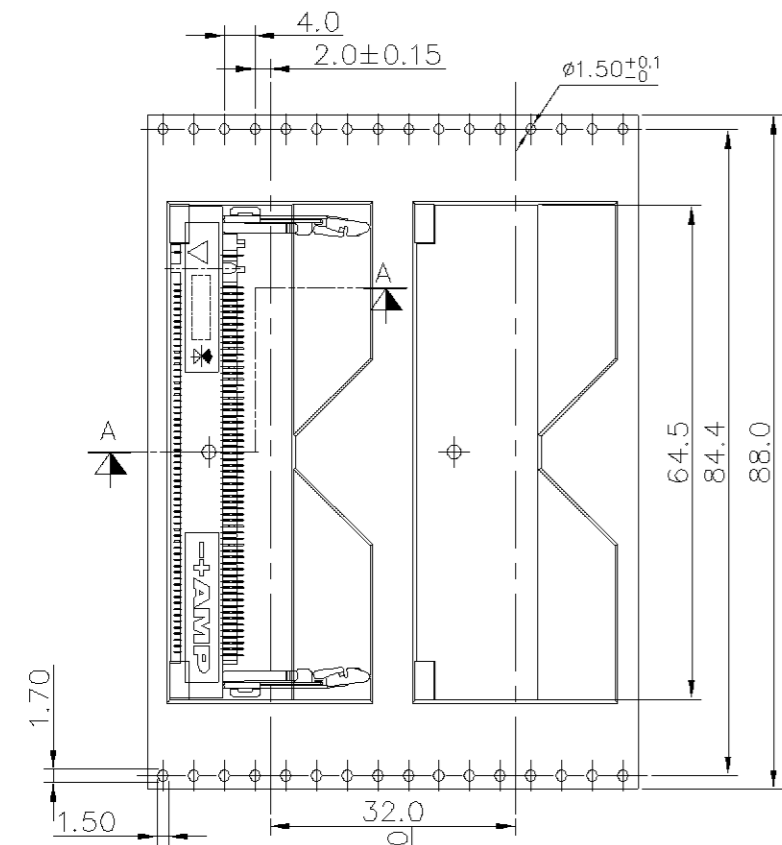
NUMBER
C-1734661

3RD ANGLE PROJECTION

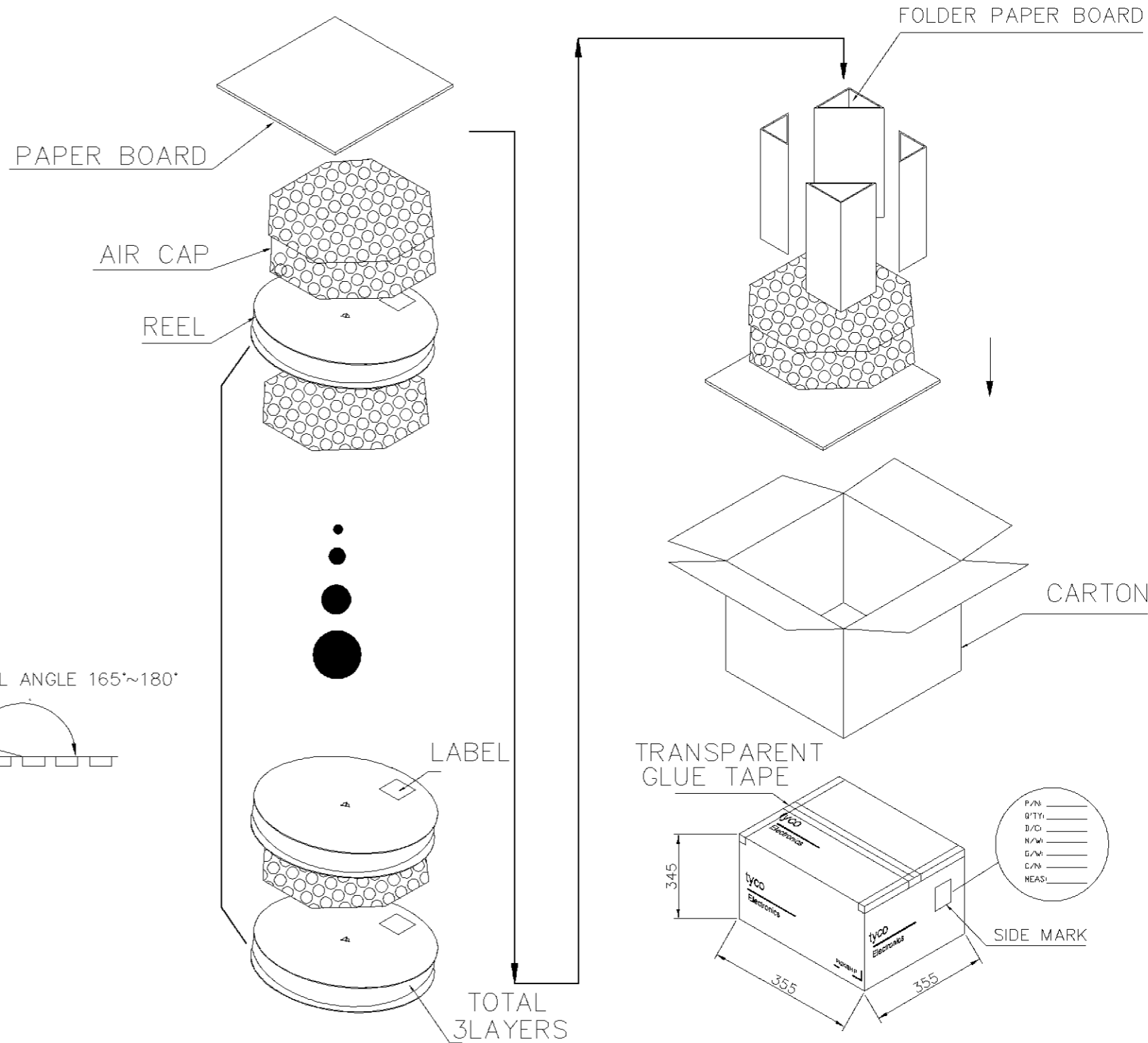
METRIC

THIS INFORMATION IS CONFIDENTIAL AND IS DISCLOSED TO YOU ON CONDITION THAT NO FURTHER DISCLOSURE IS MADE BY YOU TO OTHER THAN AMP PERSONNEL WITHOUT WRITTEN AUTHORIZATION FROM AMP (TAIWAN) LTD. DIMENSIONS IN MILLIMETERS. DO NOT SCALE PRINT.

PRINT
DIST
DW



- NOTES:
1. PRIMARY PACKING : 200 PCS/REEL
 2. SECONDARY PACKING: 3 REELS/CARTON(600 PCS/CARTON)
 3. GROSS WEIGHT: 1.30KG/REEL,5.1KG/CARTON.
 4. NET WEIGHT: 0.76KG/REEL, 2.28KG/CARTON.
 5. PEELING RESISTANCE: 0.1N~0.7N(10.2gf~71gf) MAX;
PEELING ANGLE: 165°~180°;
PEELING SPEED: 300MM/MINUTE



SEE SHEET 1.	ECN	DWN	CHK	DATE
LTR	REVISION RECORD			

TOLERANCES UNLESS OTHERWISE SPECIFIED:		DWN	S. HOU	TYCO HOLDINGS (BERMUDA) VII LTD. TAIWAN BRANCH	
0 PLC ±			18-JUN-2004	NAME	
1 PLC ±0.15		CHK	W.J. KE		
2 PLC ±0.10			18-JUN-2004	0.8 PITCH MINI PCI SOCKET, 5.6H, 124 POSITION.	
3 PLC ±0.05					
ANGLES ±3'				LOC SIZE DRAWING NO REV DW A ₃ C-1734661 A	
MATERIAL		APVD	W.J. KE		
SEE NOTE		18-JUN-2004		SCALE SHEET -- 5 OF 5	
FINISH		QUALIFICATION TEST REPORT			
SEE NOTE		WEIGHT			